
4. Disassembly and Reassembly

4-1 Screen Replacement for SPM-4388PF

1. Figures 4-1 through 4-6 show the disassembly steps.
2. To reassemble, repeat the sequence in reverse order.

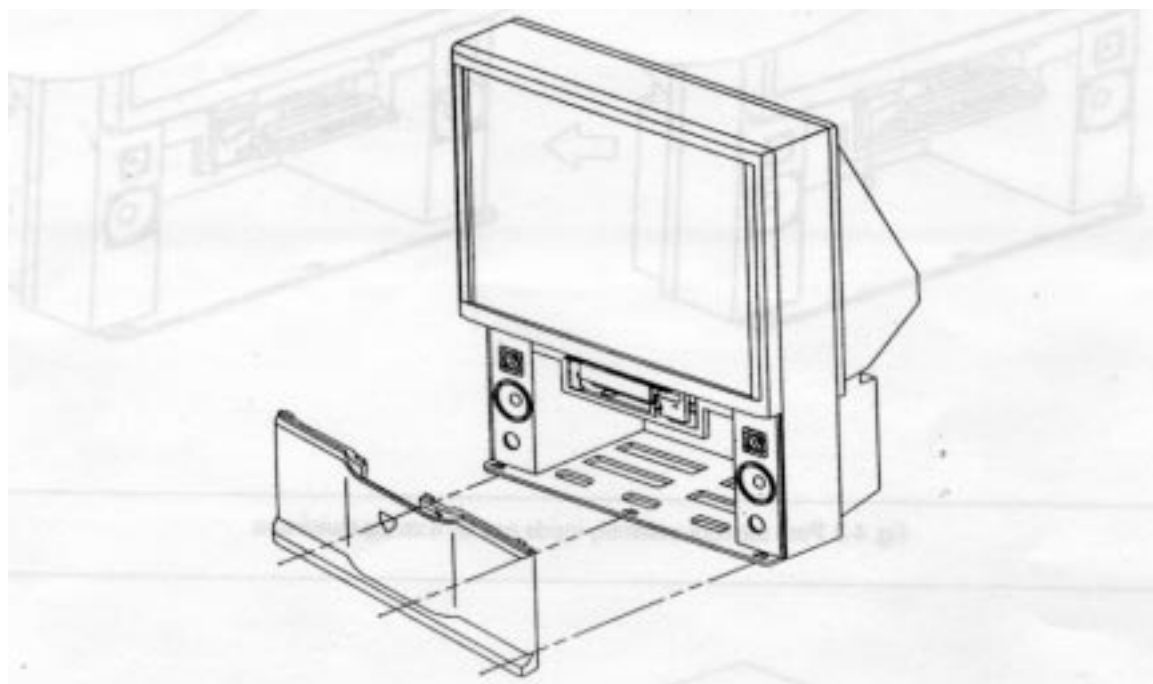


Fig. 4-1 Remove 3 screws located on the bottom of the cover grill. Pull the grill forward to remove it from the mainframe.

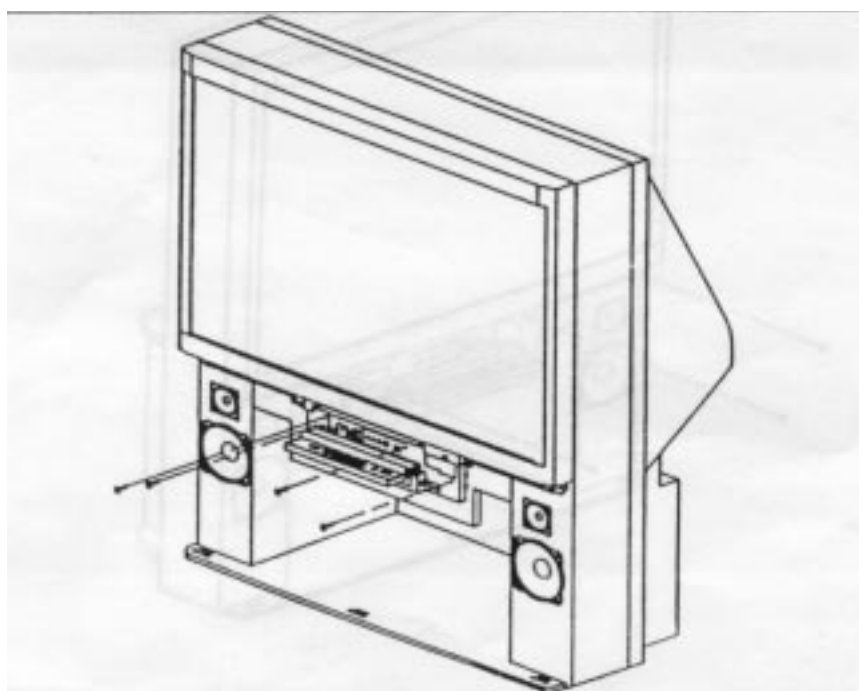


Fig. 4-2 Remove 4 screws holding the door assembly.

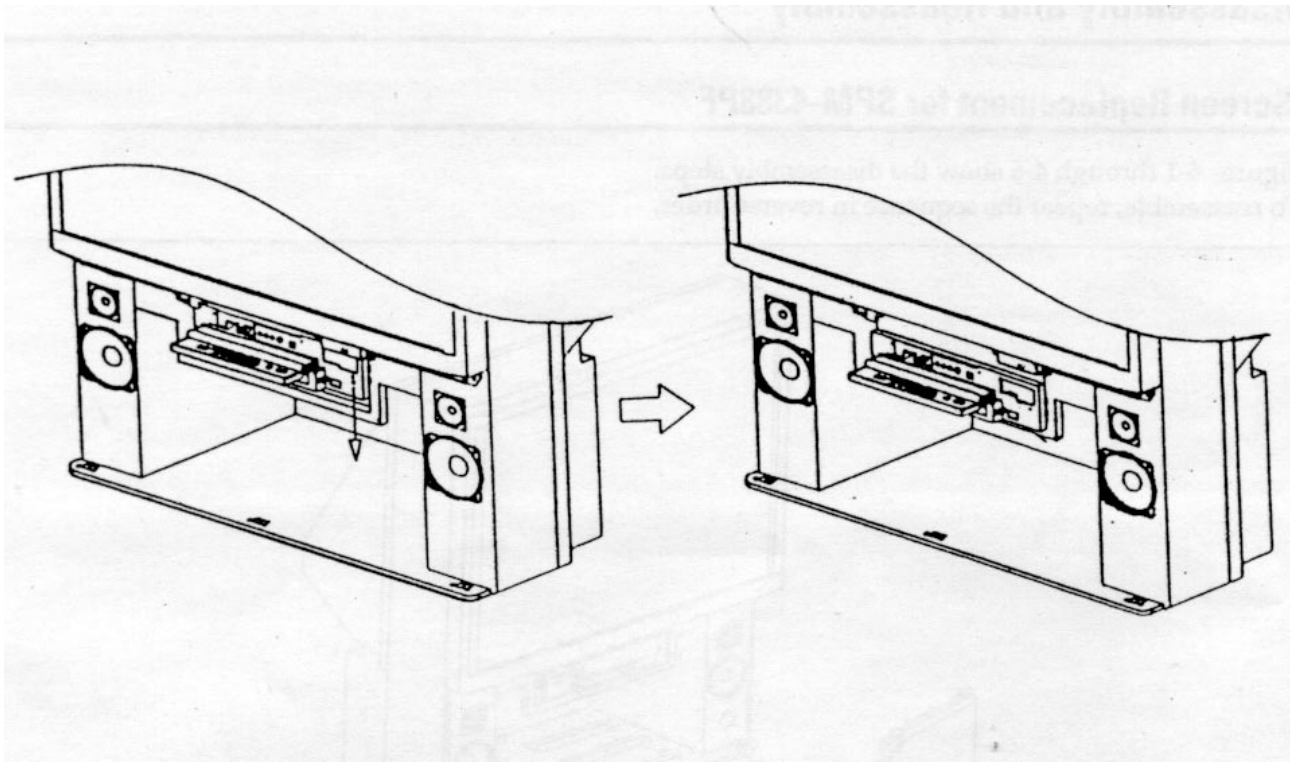


Fig. 4-3 Push the door assembly inside and lay it on the mainframe.

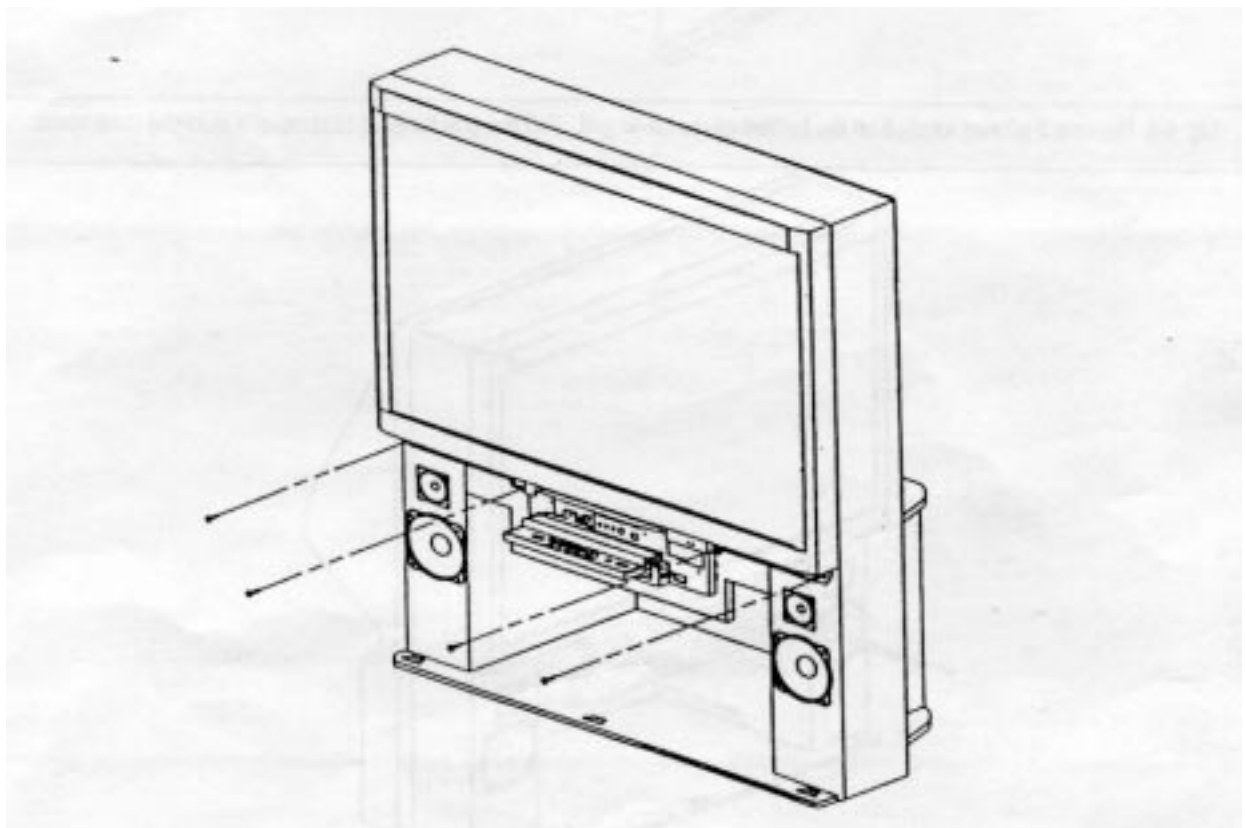


Fig. 4-4 Remove the 4 screws located below the mask-front.

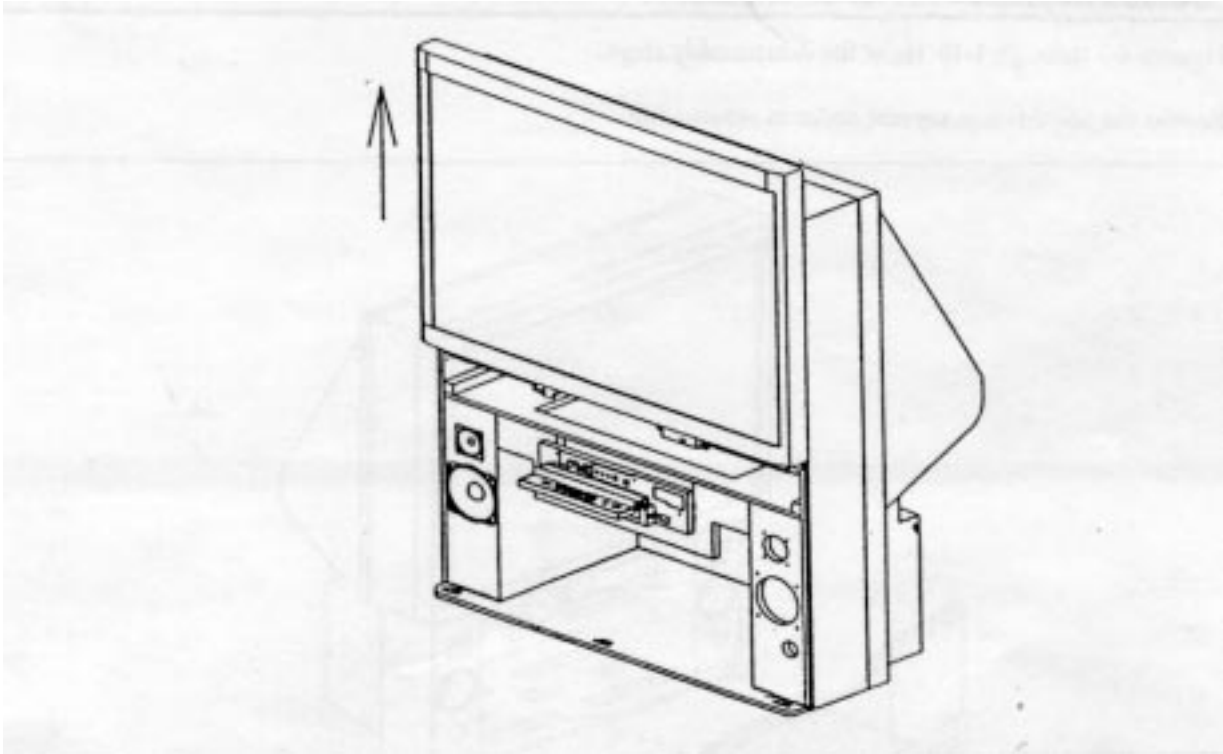


Fig. 4-5 Lift and remove the mask-front.

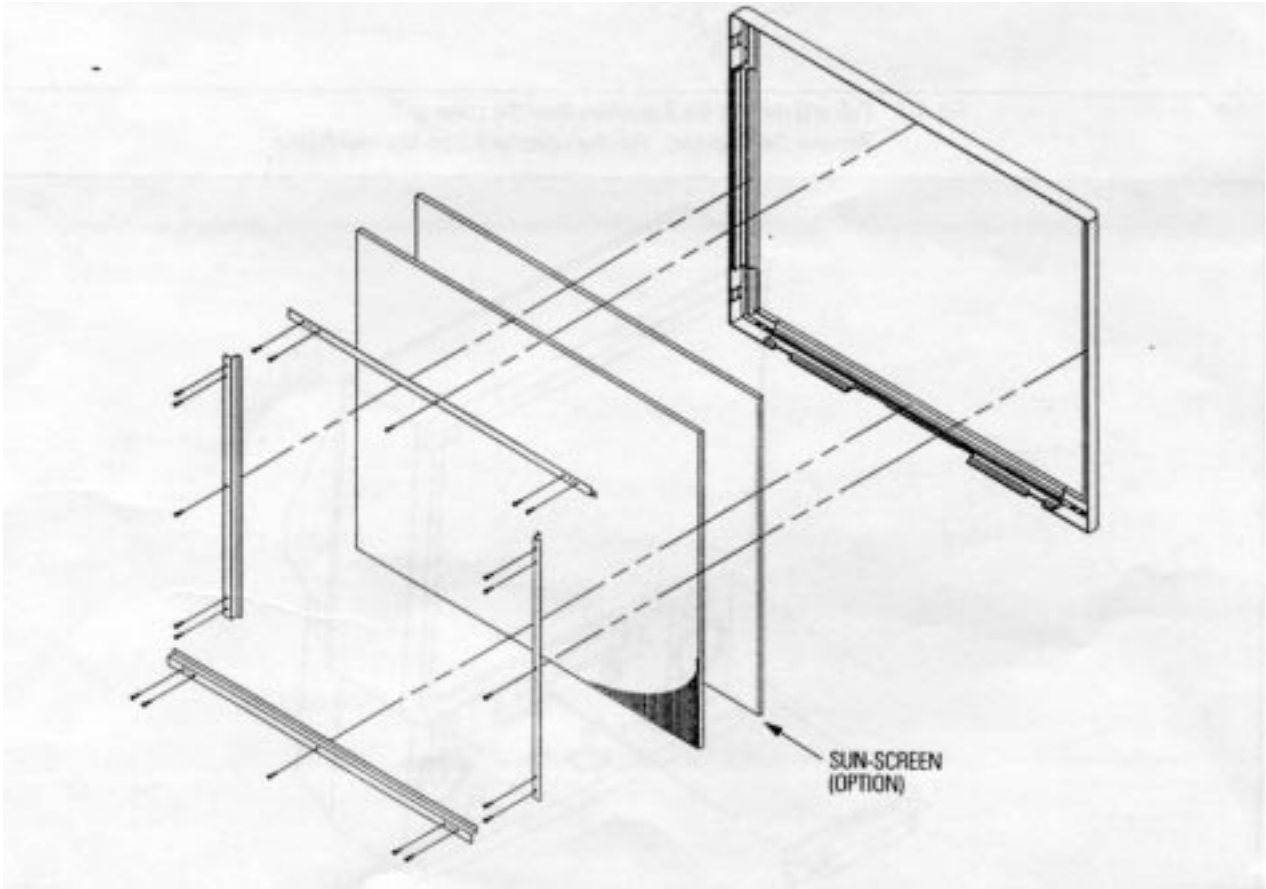


Fig. 4-6 Remove the bracket and replace the screen.

4-1 Screen Replacement for SPM-4388PF

1. Figures 4-7 through 4-10 show the disassembly steps.
2. Repeat the sequence in reverse order to reassemble.

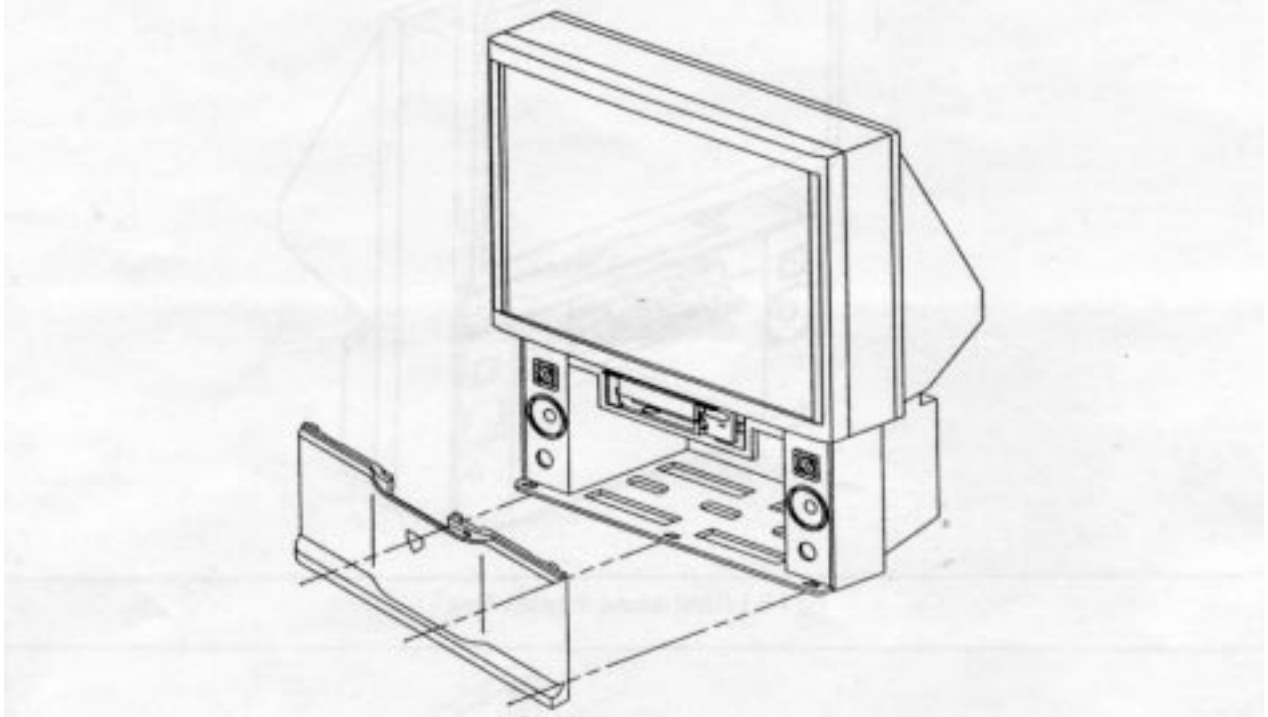


Fig. 4-7 Pull and remove the 2 woofers from the cover grill.
Remove the 9 screws. Pull the cover grill from the mainframe.

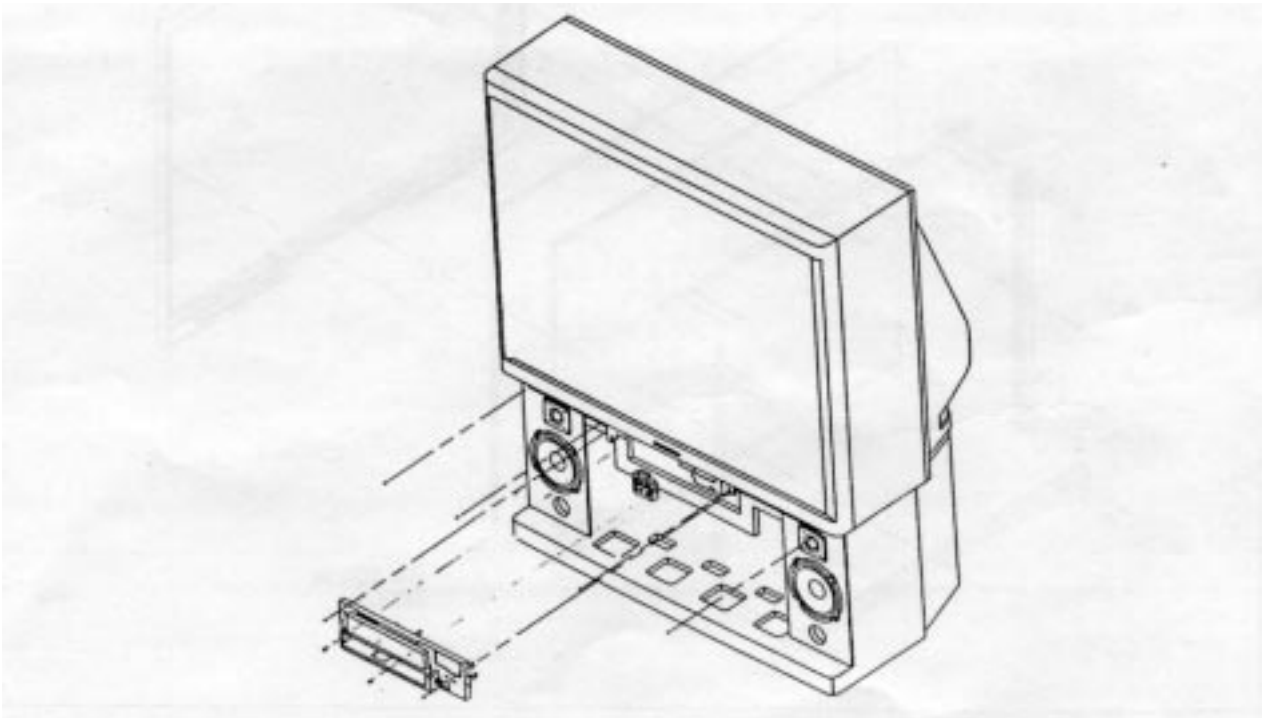


Fig. 4-8 Remove 4 screws holding the door assembly.

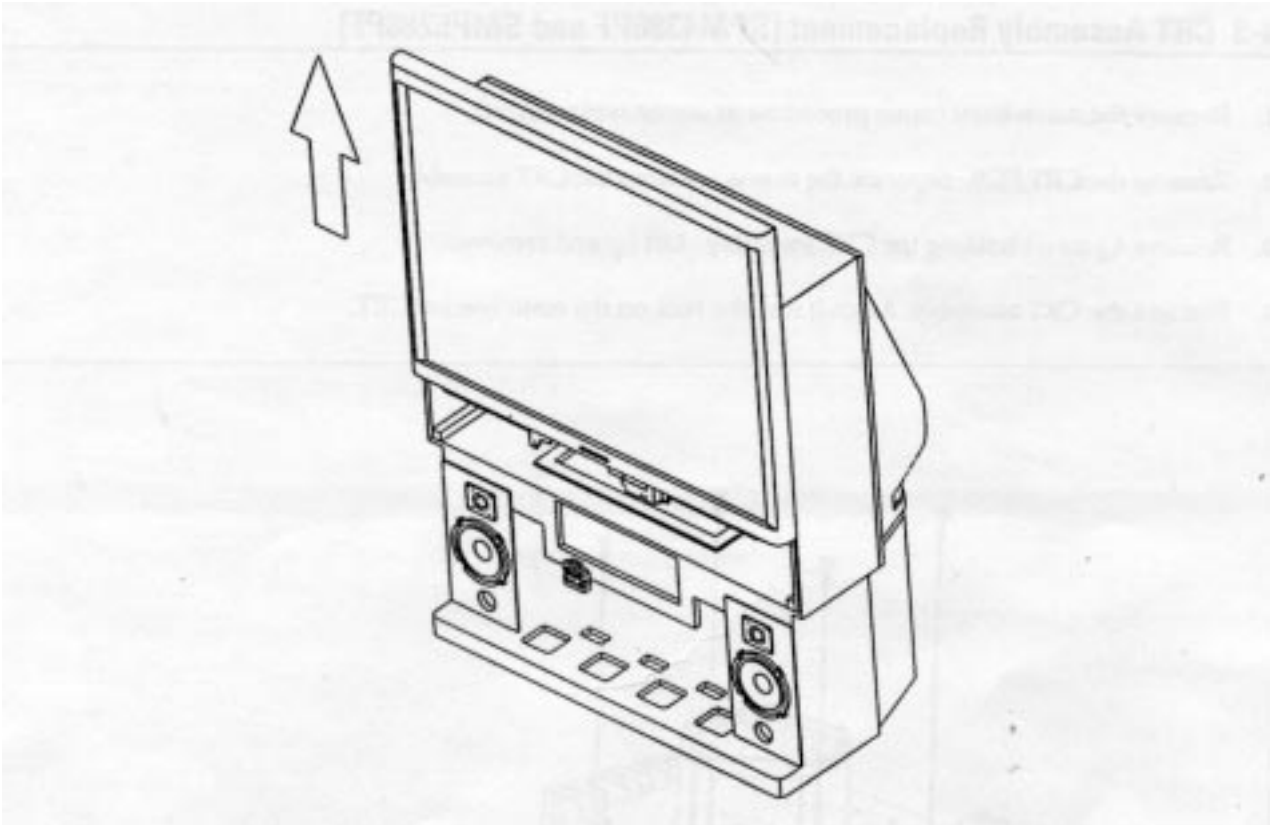


Fig. 4-9 Lift and remove the mask front.

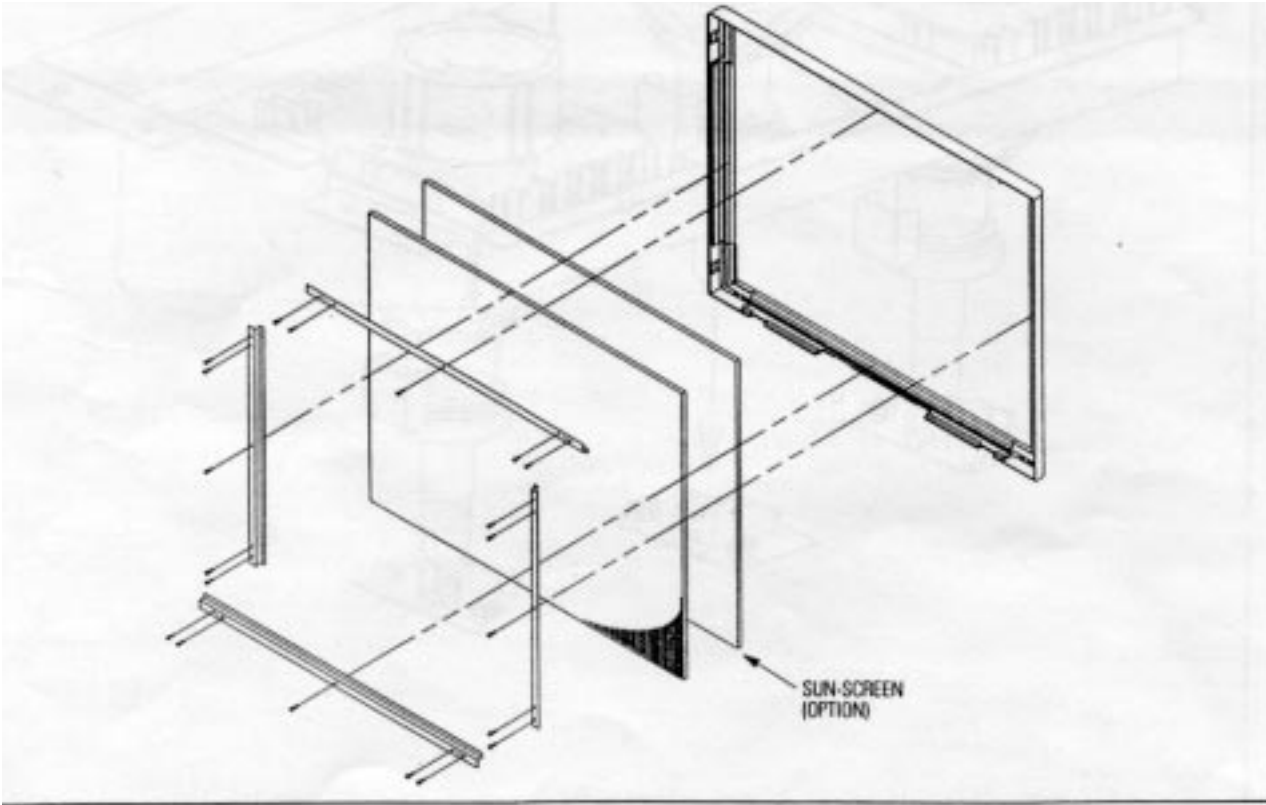


Fig. 4-10 Remove the bracket and replace the screen.

4-3 CRT Assembly Replacement (SPM4388PF and SMP5288PF)

1. Remove the mask-front (same procedure as screen replacement).
2. Remove the CRT PCB. Separate the connector from the CRT assembly.
3. Remove 4 screws holding the CRT assembly. Lift up and remove.
4. Position the CRT assembly. Align it into the hole on the main bracket CRT.

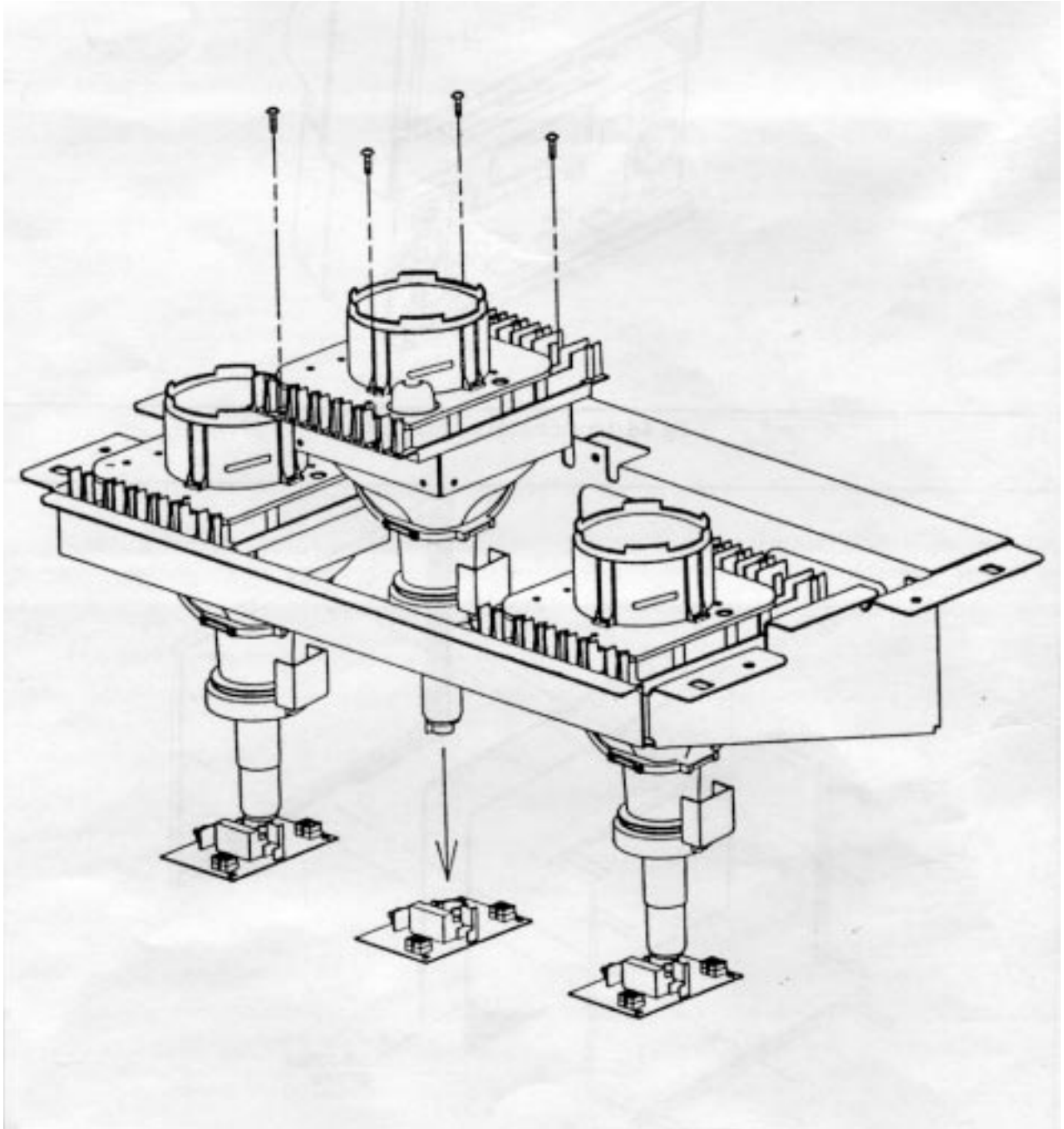


Fig. 4-11 Replacement of CRT Assembly